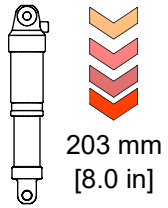




SHOX5

6300 SEAT INFOSET



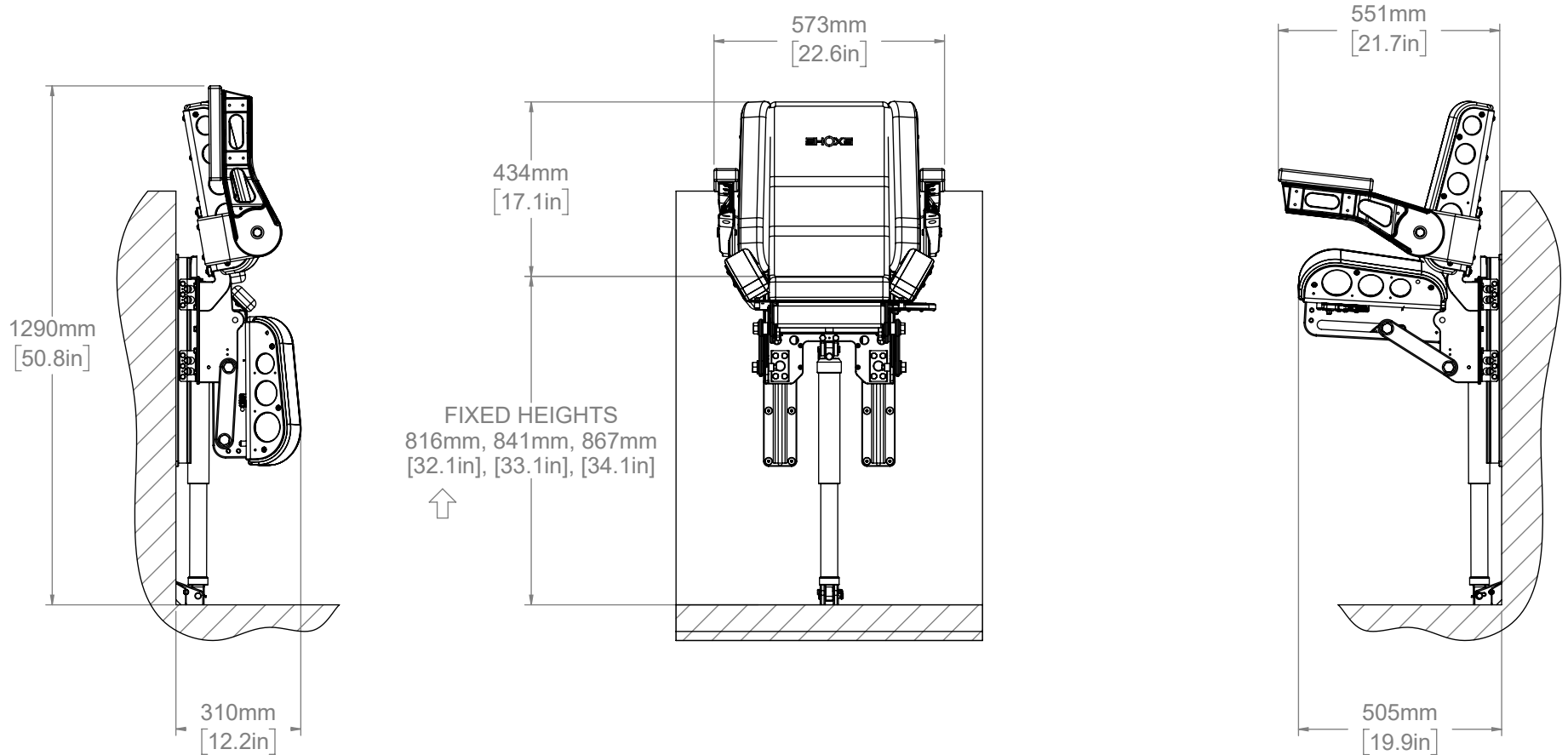
6300 SEAT OVERVIEW

Human Engineering Reference MIL-STD-1472G

Suspension Travel 203 mm / 8 in

Material Aluminum 316 SS

Base Weight 27 kg / 60 lb





6300 SEAT CENTER OF MASS

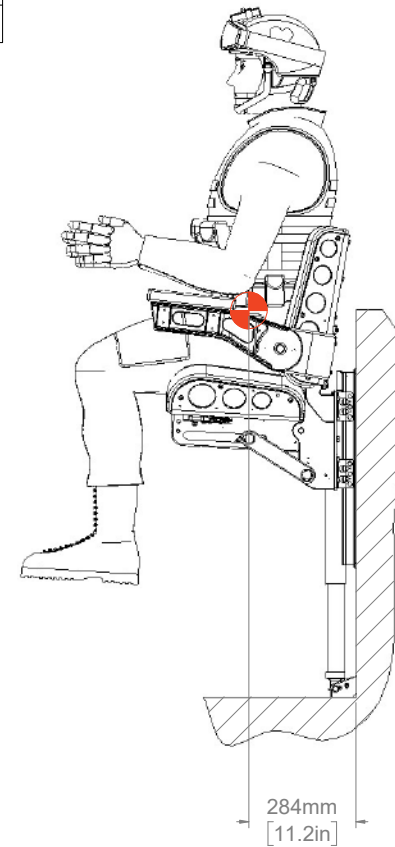
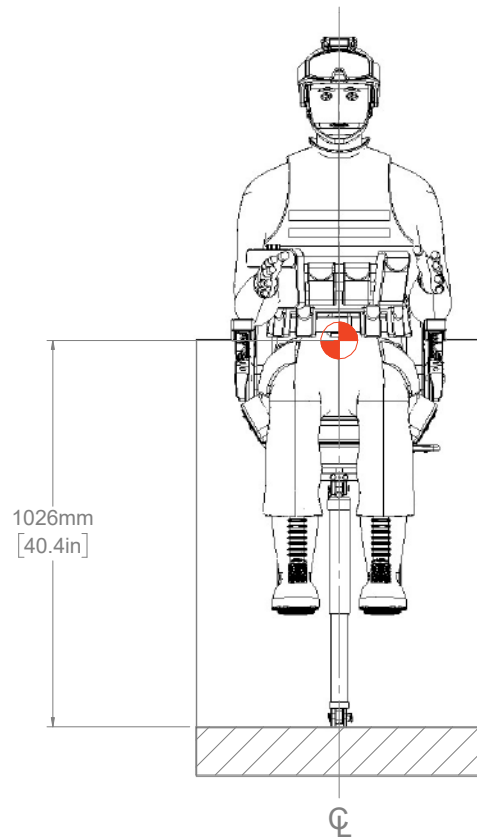
Human Engineering Reference MIL-STD-1472G

Suspension Travel 203 mm / 8 in

Material Aluminum 316 SS

Base Weight 27 kg / 60 lb

MASS OF SEAT	27.0 kg (60.0 lb)
MASS OF 95TH PERCENTILE MALE	97.2 kg (213.8 lb)
TOTAL MASS	124.2 kg (273.8 lb)





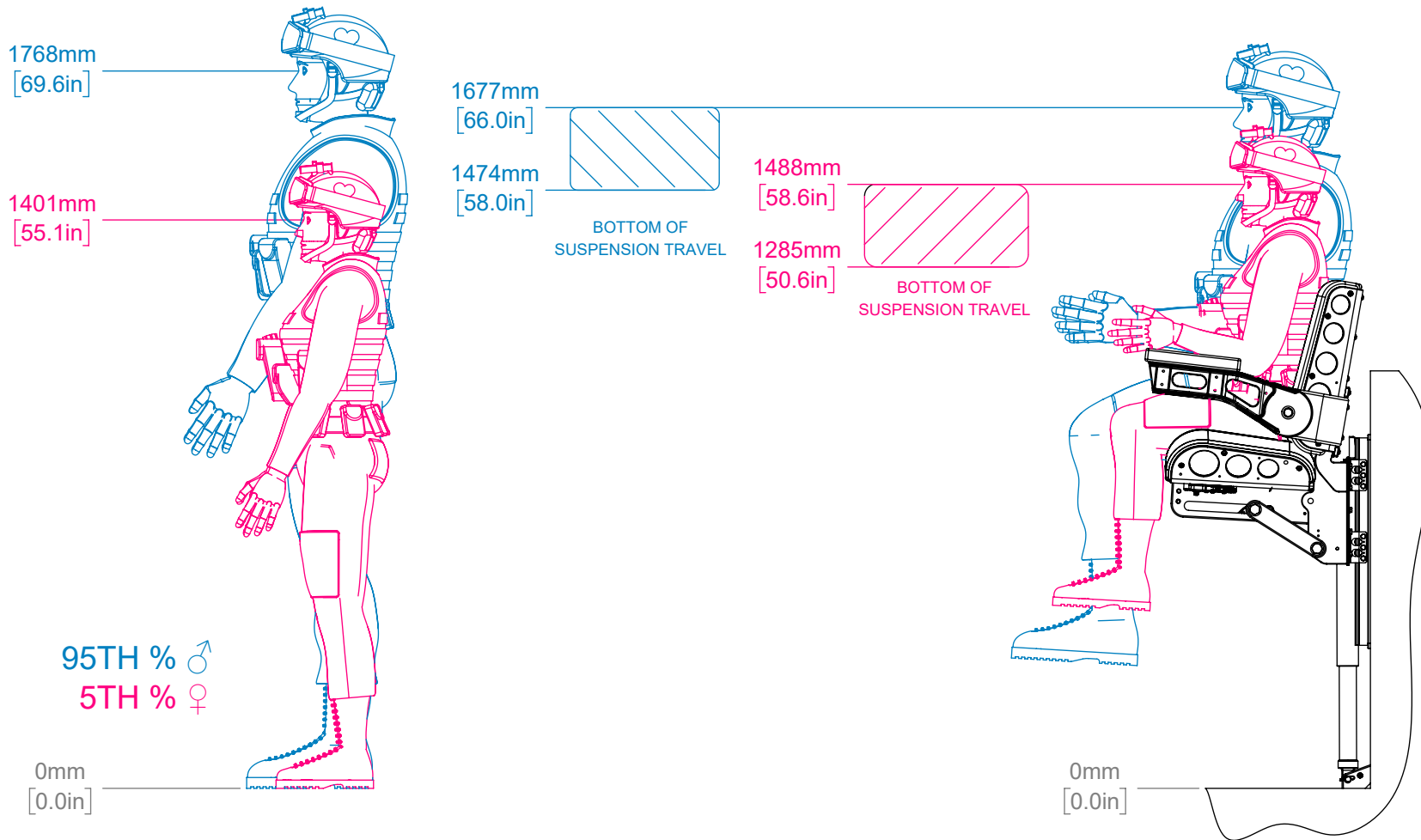
6300 SEAT SIGHTLINES

Human Engineering Reference MIL-STD-1472G

Suspension Travel 203 mm / 8 in

Material Aluminum 316 SS

Base Weight 27 kg / 60 lb





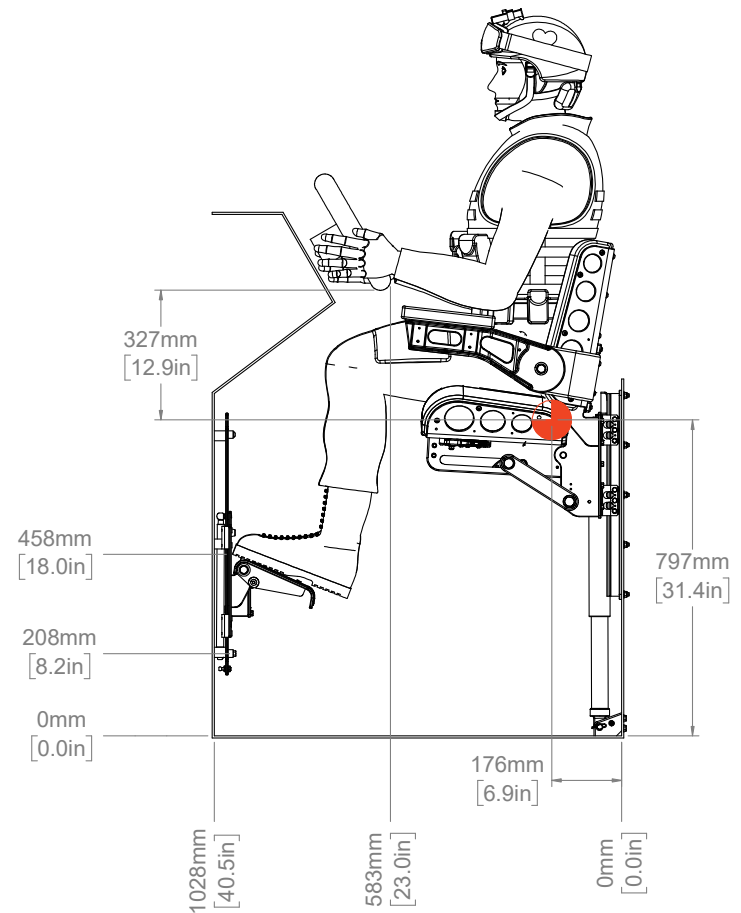
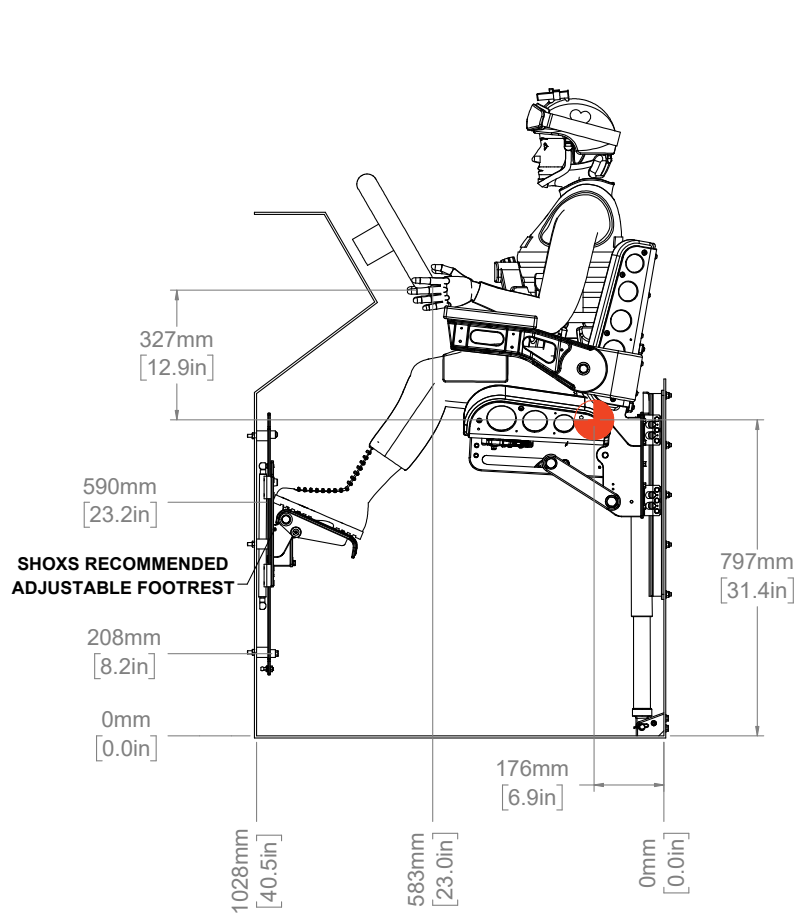
6300 SEAT CONSOLE ERGONOMICS

Human Engineering Reference MIL-STD-1472G

Suspension Travel 203 mm / 8 in

Material Aluminum 316 SS

Base Weight 27 kg / 60 lb



 SEAT REFERENCE POINT (SRP)

ALLSALT MARITIME OWNER OF SHOX5 AND KINETIX / ALLSALT.COM / SHOX5.COM / 1 (888) 637.4697



6300 SEAT SPACING

Human Engineering Reference MIL-STD-1472G

Suspension Travel 203 mm / 8 in

Material Aluminum 316 SS

Base Weight 27 kg / 60 lb

